



IT 773

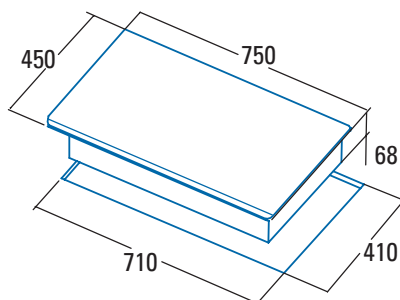


IT 773
Cod. **08062205** EAN **8422248060196**

3 cooking areas:

Right: 1 **induction area with Booster function** of $\varnothing 220$ mm of 2.3kW (max. 3kW)
Centre: 1 **induction area** of $\varnothing 180$ mm of 1.4kW
Left: 1 **giant triple high light area** of $\varnothing 270/210/145$ mm of 2.7/1.95/1.05kW

- Slider Touch Control** with acoustic warning
- 9 adjustable power levels + Booster
- Timer function for each area
- Countdown alarm
- Automatic pan detection (induction areas)
- Safety lock
- Residual heat indicator
- Automatic safety switch-off
- Frontal bevel**
- 75 cm wide**
- Total power 6.4kW**



Code	08062205
EAN	8422248060196
Model	IT 773
Type	Induction+Radiant
Product fiche	
Cooking zones	3
Right front zone: Diameter (mm)	220
Right front zone: Power (kW)	2,3
Right front zone: Booster (kW)	3
Right front zone: Consumption (Wh/kg)	176,3
Right rear zone: Diameter (mm)	-
Right rear zone: Power (kW)	-
Right rear zone: Booster (kW)	-
Right rear zone: Consumption (Wh/kg)	-
Central front zone: Diameter (mm)	-
Central front zone: Power (kW)	-
Central front zone: Booster (kW)	-
Central front zone: Consumption (Wh/kg)	-
Central rear zone: Diameter (mm)	180
Central rear zone: Power (kW)	1,4
Central rear zone: Booster (kW)	-
Central rear zone: Consumption (Wh/kg)	184,9
Front left zone: Diameter (mm)	-
Front left zone: Power (kW)	-
Front left zone: Booster (kW)	-
Front left zone: Consumption (Wh/kg)	-
Left rear zone: Diameter (mm)	270/210/145
Left rear zone: Power (kW)	2,7/1,95/1,05
Left rear zone: Booster (kW)	-
Left rear zone: Consumption (Wh/kg)	140,1
Energy consumption of the hob (Wh/kg)	167,1
Dimensions	
Product width (mm)	750
Product depth (mm)	450
Product height (mm)	68
Built-in height (mm)	710
Built-in depth (mm)	410
Ventilation slot (mm)	5
Fixing system	Quick-Fix System
Finishing	
Colour	Black
Aesthetic	Front bevel
Control	
Control type	Slider
Power selection (+/-)	Centralized
Power levels	9 + Booster
Timer	Yes
Countdown alarm	Yes
Power management	No
Security	
Safety lock	Yes
Residual heat indicator	Yes
Automatic pan detection	Yes
Automatic safety switch-off	Yes
Protection against liquid spillage	Yes
Electrical connection	
Nominal voltage (V)	220-240
Mains frequency (Hz)	50-60
Max Product power (kW)	6,4