

Continuous power regulation

Giant Zone

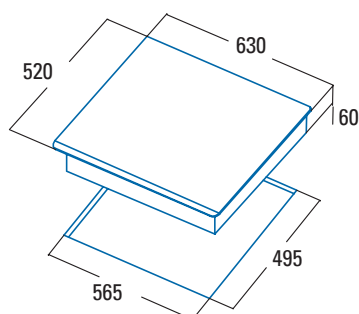
INSB 6032 BK



INSB 6032 BK

Cod. **08063400** EAN **8422248093972**

- 3 cooking areas:**
 - Right: **1 giant double area with Booster function of ø320/190mm of 3/1.5kW (max.3.6/1.8kW)**
 - Front Left: **1 area with Booster function of Ø210mm of 2.3kW (max. 2.6kW)**
 - Rear Left: **1 area with Booster function of Ø160mm of 1.2kW (max. 1.5kW)**
- Continuous power regulation**
- Slider Touch Control for each area**
- It has three **temperature functions:**
 - Melting / Defrosting (45-55°C)**
 - Heating / Keeping warm (65-70°C)**
 - Simmering (85-95°C)**
- 9 adjustable power levels + Booster
- AUTO connectivity for automatic control of the CATA hoods
- Pause Function
- Timer function for each area
- Countdown alarm
- Automatic pan detection
- Safety lock
- Residual heat indicator
- Automatic safety switch-off
- Frontal bevel**
- 63 cm wide**
- Total power 7.1kW**



Code	08063400
EAN	8422248093972
Model	INSB 6032 BK
Type	Induction
Product fiche	
Cooking zones	3
Right front zone: Diameter (mm)	
Right front zone: Diameter (mm)	-
Right front zone: Power (kW)	-
Right front zone: Booster (kW)	-
Right front zone: Consumption (Wh/kg)	-
Right rear zone: Diameter (mm)	
Right rear zone: Diameter (mm)	320/190
Right rear zone: Power (kW)	
Right rear zone: Power (kW)	3/1,5
Right rear zone: Booster (kW)	3,6/1,8
Right rear zone: Consumption (Wh/kg)	199,3
Central front zone: Diameter (mm)	
Central front zone: Diameter (mm)	-
Central front zone: Power (kW)	
Central front zone: Power (kW)	-
Central front zone: Booster (kW)	
Central front zone: Booster (kW)	-
Central front zone: Consumption (Wh/kg)	
Central front zone: Consumption (Wh/kg)	-
Central rear zone: Diameter (mm)	
Central rear zone: Diameter (mm)	-
Central rear zone: Power (kW)	
Central rear zone: Power (kW)	-
Central rear zone: Booster (kW)	
Central rear zone: Booster (kW)	-
Central rear zone: Consumption (Wh/kg)	
Central rear zone: Consumption (Wh/kg)	-
Front left zone: Diameter (mm)	
Front left zone: Diameter (mm)	210
Front left zone: Power (kW)	
Front left zone: Power (kW)	2,3
Front left zone: Booster (kW)	
Front left zone: Booster (kW)	2,6
Front left zone: Consumption (Wh/kg)	
Front left zone: Consumption (Wh/kg)	186,6
Left rear zone: Diameter (mm)	
Left rear zone: Diameter (mm)	160
Left rear zone: Power (kW)	
Left rear zone: Power (kW)	1,2
Left rear zone: Booster (kW)	
Left rear zone: Booster (kW)	1,5
Left rear zone: Consumption (Wh/kg)	
Left rear zone: Consumption (Wh/kg)	194,9
Energy consumption of the hob (Wh/kg)	
Energy consumption of the hob (Wh/kg)	193,6
Dimensions	
Product width (mm)	630
Product depth (mm)	520
Product height (mm)	60
Built-in height (mm)	565
Built-in depth (mm)	495
Ventilation slot (mm)	5
Fixing system	Quick-Fix System
Finishing	
Colour	Black
Aesthetic	Front bevel
Control	
Control type	Independent Slider for each area
Power selection (+/-)	Individual per zone
Power levels	9 + Booster
Timer	Yes
Countdown alarm	Yes
Power management	Yes
Security	
Safety lock	Yes
Residual heat indicator	Yes
Automatic pan detection	Yes
Automatic safety switch-off	Yes
Protection against liquid spillage	Yes
Electrical connection	
Nominal voltage (V)	220-240
Mains frequency (Hz)	50-60
Max Product power (kW)	√