

INSB 6003 BK

Giant Zone


INSB 6003 BK

 Cod. **08063103** EAN **8422248079518**
3 cooking areas:

 Right: 1 area **with Booster function** of Ø300mm of 2.3kW (max. 3kW)

 Front Left: 1 area **with Booster function** of Ø230mm of 2.3kW (max. 2.6kW)

 Rear Left: 1 area **with Booster function** of Ø180mm of 1.2kW (max. 1.5kW)

Slider Touch Control for each area
It has three temperature functions:
Melting / Defrosting (45-55°C)
Heating / Keeping warm (65-70°C)
Simmering (85-95°C)
 9 adjustable power levels + Booster

 Pause Function

 Timer function for each area

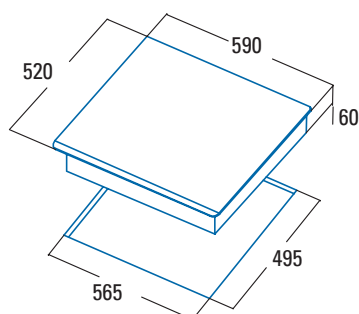
 Countdown alarm

 Automatic pan detection

 Safety lock

 Residual heat indicator

 Automatic safety switch-off

 Frontal bevel
 59 cm wide
 Total power 7.1kW


Code	08063103
EAN	8422248079518
Model	INSB 6003 BK
Type	Induction
Product fiche	
Cooking zones	3
Right front zone: Diameter (mm)	-
Right front zone: Power (kW)	-
Right front zone: Booster (kW)	-
Right front zone: Consumption (Wh/kg)	-
Right rear zone: Diameter (mm)	300
Right rear zone: Power (kW)	2,3
Right rear zone: Booster (kW)	3
Right rear zone: Consumption (Wh/kg)	180,8
Central front zone: Diameter (mm)	-
Central front zone: Power (kW)	-
Central front zone: Booster (kW)	-
Central front zone: Consumption (Wh/kg)	-
Central rear zone: Diameter (mm)	-
Central rear zone: Power (kW)	-
Central rear zone: Booster (kW)	-
Central rear zone: Consumption (Wh/kg)	-
Front left zone: Diameter (mm)	230
Front left zone: Power (kW)	2,3
Front left zone: Booster (kW)	2,6
Front left zone: Consumption (Wh/kg)	184,1
Left rear zone: Diameter (mm)	180
Left rear zone: Power (kW)	1,2
Left rear zone: Booster (kW)	1,5
Left rear zone: Consumption (Wh/kg)	181,7
Energy consumption of the hob (Wh/kg)	182,2
Dimensions	
Product width (mm)	590
Product depth (mm)	520
Product height (mm)	60
Built-in height (mm)	565
Built-in depth (mm)	495
Ventilation slot (mm)	5
Fixing system	Quick-Fix System
Finishing	
Colour	Black
Aesthetic	Front bevel
Control	
Control type	Independent Slider for each area
Power selection (+/-)	Individual per zone
Power levels	9 + Booster
Timer	Yes
Countdown alarm	Yes
Power management	No
Security	
Safety lock	Yes
Residual heat indicator	Yes
Automatic pan detection	Yes
Automatic safety switch-off	Yes
Protection against liquid spillage	Yes
Electrical connection	
Nominal voltage (V)	220-240
Mains frequency (Hz)	50-60
Max Product power (kW)	√