

AS 750



AS 750 2 flex induction
Cod. **08000400** EAN **8422248078283**

- Touch Control Panel with timer and cleaning filters indicator
- 5 extraction levels, 4 + 1 TURBO
- Extraction power (according to UNE/EN 61591): 650m³/h - 140m³/h
- Maximum air flow (free outlet): 950m³/h
- Airflow speed: 10 m/s
- Sound power (Reg.(EU) n°65/2014): 40dB(A), maximum: 64dB(A)
- BRUSHLESS motor. Ultra silent. Maximum energy consumption 130W
- Easy-to-install system
- Dishwasher-washable filters
- Max. Pressure: 470 Pa
- 150 mm outlet diameter
- Energy Class: A

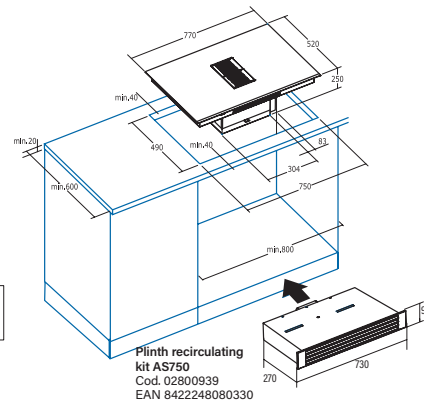
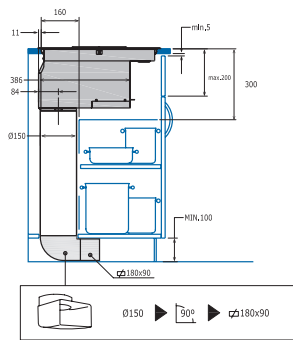
► **Accessories (not included)**
 Recirculating kit Socket AS750 / Kit de recirculation Socket AS750Cod. 02800939 / EAN 8422248080330.....
 Filter replacement kit washable active carbon / Kit de remplacement de filtre charbon actif lavable
Cod. 02800937 / EAN 8422248078900

- 4 cooking areas:**
 Front Right: 1 area **with Booster function** of 215mm x 190mm of 1.6 kW (max. 1.85kW)
 Rear Right: 1 area **with Booster function** of 215mm x 190mm of 2.1 kW (max. 3kW)
 Front Left: 1 area **with Booster function** of 215mm x 190mm of 1.6 kW (max. 1.85kW)
 Rear Left: 1 area **with Booster function** of 215mm x 190mm of 2.1 kW (max. 3kW)

2 modular double areas measuring 215mm x 380mm of 3.7kW

- Slider Touch Control** with acoustic warning
- 9 adjustable power levels + Booster
- Timer function for each area
- Countdown alarm
- Automatic pan detection
- Safety lock
- Residual heat indicator
- Automatic safety switch-off
- Frontal bevel**
- 77 cm wide**
- Total power (induction + extraction) 7.53kW**

► **Accessories (not included)**
 Barbecue grillCod. 0307400 / EAN 8422248082563



Code	08000400
EAN	8422248078283
Model	AS750 2 FLEX INDUCTION
Type	Induction
Product fiche	
Cooking zones	4
Right front zone: Diameter (mm)	215x190
Right front zone: Power (kW)	1,6
Right front zone: Booster (kW)	1,85
Right front zone: Consumption (Wh/kg)	182,9
Right rear zone: Diameter (mm)	215x190
Right rear zone: Power (kW)	2,1
Right rear zone: Booster (kW)	3
Right rear zone: Consumption (Wh/kg)	182,7
Central front zone: Diameter (mm)	
Central front zone: Power (kW)	
Central front zone: Booster (kW)	
Central front zone: Consumption (Wh/kg)	-
Central rear zone: Diameter (mm)	-
Central rear zone: Power (kW)	-
Central rear zone: Booster (kW)	-
Central rear zone: Consumption (Wh/kg)	
Front left zone: Diameter (mm)	215x190
Front left zone: Power (kW)	1,6
Front left zone: Booster (kW)	1,85
Front left zone: Consumption (Wh/kg)	182,9
Left rear zone: Diameter (mm)	215x190
Left rear zone: Power (kW)	2,1
Left rear zone: Booster (kW)	3
Left rear zone: Consumption (Wh/kg)	182,7
Energy consumption of the hob (Wh/kg)	182,8
Dimensions	
Product width (mm)	770
Product depth (mm)	520
Product height (mm)	250
Built-in height (mm)	750
Built-in depth (mm)	490
Ventilation slot (mm)	5
Fixing system	Quick-Fix System
Finishing	
Colour	Black
Aesthetic	Front bevel
Control	
Control type	Touch
Power selection (+/-)	Individual per zone
Power levels	9 + Booster
Timer	Yes
Countdown alarm	Yes
Power management	No
Security	
Safety lock	Yes
Residual heat indicator	Yes
Automatic pan detection	Yes
Automatic safety switch-off	Yes
Protection against liquid spillage	Yes
Electrical connection	
Nominal voltage (V)	220-240
Mains frequency (Hz)	50-60
Max Product power (kW)	7,5