



Q

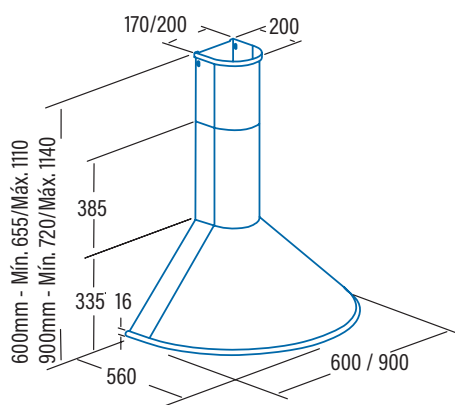


Q-7760 BK  
Cod. **02148402** EAN **8422248084178**

- Mechanical control panel**
- 3 extraction levels
- Extraction power (according to UNE/EN 61591): **645m³/h** - 385m³/h
- Maximum air flow (free outlet): **1115m³/h**
- Sound power (Reg.(EU) n°65/2014): 58dB(A)**, maximum: 72dB(A)
- M3R motor. Extra silent. Maximum energy consumption **270W**
- High efficiency LED lighting**
- Easy-to-install system
- Dishwasher-washable filters
- Finished in stainless steel or black
- Max. pressure 430 Pa
- 150/125 mm outlet diameter
- Energy Class: C

► **Accessories (not included)**

Active charcoal filter .....Cod. 02859391 / EAN 8422248001595 .....  
 Check valve .....Cod. 02832001 / EAN 8422248044677 .....  
 Top tube.....Cod. 02861301 / EAN 8422248031073 .....



<b>Code</b>	<b>02148402</b>
<b>EAN</b>	<b>8422248084178</b>
<b>Model</b>	<b>Q-7760 BK</b>
<b>Type</b>	Chimney
<b>Product fiche according to directives EU65/2014 - EN61591, EN60704-2-13, EN50564</b>	
AEC (Annual Energy consumption) (kWh/annum)	95,7
EEL class (Energy Efficiency Class)	C
FDE (Fluid Dynamic Efficiency)	17,8
FDE class (Fluid Dynamic Efficiency Class)	D
LE (Lighting Efficiency) (lux/W)	36
LE class (Lighting Efficiency Class)	A
GFE (Grease Filtering Efficiency)	90,3
GFE Class (Grease Filtering Efficiency class)	B
Air flow at minimum speed (m³/h)	385
Air flow at maximum speed (m³/h)	645
Air flow at intensive speed (TURBO) (m³/h)	-
Sound Power Level at minimum speed (dB)	58
Sound Power Level at maximum speed (dB)	72
Sound Power Level at intensive speed (TURBO) (dB)	-
Po (Power Consumption in off mode) (W)	0
Ps (Power Consumption in standby) (W)	0
<b>Integration directive EU 66/2014</b>	
f (Time Increase Factor)	1,4
EEL (Energy Efficiency Index)	80,1
QBEP (Flow Rate at Best Efficiency Point) (m³/h)	371,8
PBEP (Static Pressure Difference at Best Efficiency Point) (Pa)	314
WBEP (Electric Power Input at Best Efficiency Point) (W)	182,5
WL (Nominal Power Consumption of Lighting system) (W)	7
EMIDDLE (Average Illumination of Lighting system on Cooking surface) (lux)	252
<b>External Dimensions</b>	
Width (mm)	600
Depth (mm)	560
Total max height (mm)	1110
Total min height (mm)	655
Outlet Diameter (mm)	150/125
<b>Characteristics</b>	
Motor	M3R
Extraction Levels	3
Motor Maximum Power Consumption	270
Maximum Pressure	430
Intensive Speed (TURBO) Pressure	-
Control Type	Mechanic
Automatic shut-down timer	-
Electronic Filter Saturation Indicator	-
Filter Type	Metallic
Anti-grease Filter Number	2
Inner Shield	-
<b>Lighting</b>	
Light Type	EcoLed
Adjustable Intensity Lighting	-
N° of Lamps	2
<b>Installation</b>	
Minimum height distance to a electric worktop hob (mm)	650
Minimum height distance to a gas worktop hob (mm)	650
Installation with Outlet tube to the exterior / Recirculating	BOTH
Easy Installation System	√
<b>Electric Connection</b>	
Total Rush Power (W)	277
Rated Voltage (V)	220-240
Network Frequency (Hz)	50
Electrical Insulation Class	CLASS II
Plug	EU - 2 pins
<b>Accessories</b>	
Upper Decorative tube Extension	02883400
White Decorative Tube	-
Black Decorative Tube	-
Island Tube Enhancer	-
Check Valve	02832001
MAX PRO Metal Filter	-
Metal Filter	02800940
DUAL Filter (metal + active charcoal)	-
Active Charcoal Filter	02859391
Noiseless Flexible Duct	02893002