



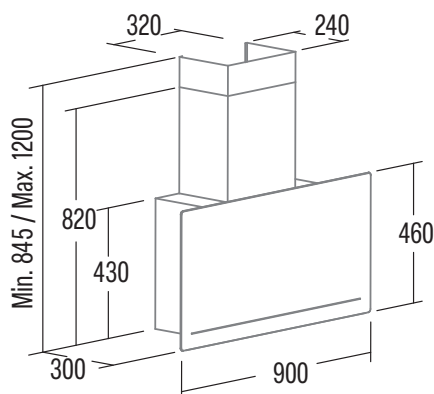
GOYA 90 BK
Cod. **02129404** EAN **8422248190541**



- Touch Control Panel with automatic shut-down timer and cleaning filters indicator
- 6 extraction levels, 5 + 1 TURBO
- 1st speed silent mode
- Extraction power (according to UNE/EN 61591): 825m³/h - 200m³/h
- Motor maximum airflow free outlet: 1200m³/h
- Sound power (Reg.(EU) n°65/2014): 40dB(A), maximum: 64dB(A)
- BRUSHLESS motor. Ultra silent. Maximum energy consumption 135W
- High-efficiency lighting by intensity-adjustable two-tone warm / natural LED STRIP
- Easy-to-install system
- Non-condensation filter XL
- Dishwasher-washable filters
- Black glass finishing
- Max. Pressure: 365 Pa
- Front panel with opening for intensive use
- 150/125 mm outlet diameter
- Energy Class: A+++

Accessories (not included)

Active charcoal filter	Cod. 02859318 / EAN 8422248098472
Check valve	Cod. 02832004 / EAN 8422248480499
Top tub BK	Cod. 02861405 / EAN 8422248078931
Top tub WH	Cod. 02861005 / EAN 8422248078917



Code	02129404
EAN	8422248190541
Model	GOYA 90 BK CATA&ROCA
Type	Vertical
Product fiche according to directives EU65/2014 - EN61591, EN60704-2-13, EN50564	
AEC (Anual Energy consumption) (kWh/annum)	14,5
EEL class (Energy Efficiency Class)	A+++
FDE (Fluid Dynamic Efficiency)	39,7
FDE class (Fluid Dynamic Efficiency Class)	A
LE (Lighting Efficiency) (lux/W)	26,3
LE class (Lighting Efficiency Class)	B
GFE (Grease Filtering Efficiency)	75,5
GFE Class (Grease Filtering Efficiency class)	C
Air flow at minimum speed (m ³ /h)	200
Air flow at maximum speed (m ³ /h)	605
Air flow at intensive speed (TURBO) (m ³ /h)	825
Sound Power Level at minimum speed (dB)	40
Sound Power Level at maximum speed (dB)	64
Sound Power Level at intensive speed (TURBO) (dB)	69
Po (Power Consumption in off mode) (W)	0,4
Ps (Power Consumption in standby) (W)	0
Integration directive EU 66/2014	
f (Time Increase Factor)	0,6
EEL (Energy Efficiency Index)	29,3
QBEP (Flow Rate at Best Efficiency Point) (m ³ /h)	259,7
PBEP (Static Pressure Difference at Best Efficiency Point) (Pa)	326,2
WBEP (Electric Power Input at Best Efficiency Point) (W)	59,2
WL (Nominal Power Consumption of Lighting system) (W)	3
EMIDDLE (Average Illumination of Lighting system on Cooking surface) (lux)	79
External Dimensions	
Width (mm)	900
Depth (mm)	300
Total max height(mm)	1160
Total min height(mm)	845
Outlet Diameter (mm)	150/125
Characteristics	
Motor	BT4DC
Extraction Levels	5+1
Motor Maximum Power Consumption	135
Maximum Pressure	357
Intensive Speed (TURBO) Pressure	365
Control Type	TCD6i
Automatic shut-down timer	√
Electronic Filter Saturation Indicator	√
Filter Type	Metallic
Anti-grease Filter Number	2+1
Inner Shield	-
Lighting	
Light Type	SS Led
Adjustable Intensity Lighting	√
Nº of Lamps	1
Installation	
Minimum height distance to a electric worktop hob (mm)	530
Minimum height distance to a gas worktop hob (mm)	650
Instalation with Outlet tube to the exterior / Recirculating	BOTH
Easy Instalation System	√
Electric Connection	
Total Rush Power (W)	138
Rated Voltage (V)	220-240
Network Frequency (Hz)	50
Electrical Insulation Class	CLASS I
Plug	-
Accessories	
Upper Decorative tube Extension	02861303
White Decorative Tube	-
Black Decorative Tube	02861405
Island Tube Enhancer	-
Check Valve	02832004
MAX PRO Metal Filter	-
Metal Filter	02800905 / 02800904*
DUAL Filter (metal + active charcoal)	02800918+02800938
Active Charcoal Filter	02859318
Noiseless Flexible Duct	02893002