



GAMMA ISLAND

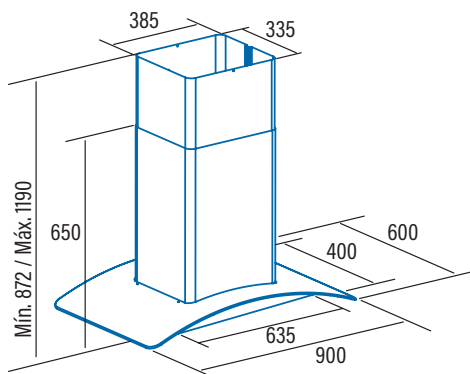


GAMMA ISLAND
Cod. **02025205** EAN **8422248077736**

- ❑ **Electronic control Panel** with automatic shut down timer
- ❑ 3 extraction levels, 2 + 1 **TURBO**
- ❑ Extraction power (according to UNE/EN 61591): **850m³/h** - 340m³/h
- ❑ Maximum air flow (free outlet): **1200m³/h**
- ❑ **Sound power (Reg.(EU) n°65/2014): 50dB(A)**, maximum: 65dB(A)
- ❑ BT3 motor. Extra silent. Maximum energy consumption **280W**
- ❑ **High efficiency LED lighting**
- ❑ Easy-to-install system
- ❑ Dishwasher-washable filters
- ❑ Finished in Stainless steel
- ❑ Max. Pressure: 470 Pa
- ❑ 150/125 mm outlet diameter
- ❑ **Energy Class: A**

► **Accessories (not included)**

Active charcoal filterCod. 02859398 / EAN 8422248075497.....
Check valveCod. 02832004 / EAN 8422248480499.....



Code	02025205
EAN	8422248077736
Model	ISLA GAMMA 900 X / D
Type	Island
Product fiche according to directives EU65/2014 - EN61591, EN60704-2-13, EN50564	
AEC (Annual Energy consumption) (kWh/annum)	55,7
EEl class (Energy Efficiency Class)	A
FDE (Fluid Dynamic Efficiency)	30,2
FDE class (Fluid Dynamic Efficiency Class)	A
LE (Lighting Efficiency) (lux/W)	36,6
LE class (Lighting Efficiency Class)	A
GFE (Grease Filtering Efficiency)	91,2
GFE Class (Grease Filtering Efficiency class)	B
Air flow at minimum speed (m³/h)	340
Air flow at maximum speed (m³/h)	600
Air flow at intensive speed (TURBO) (m³/h)	800
Sound Power Level at minimum speed (dB)	50
Sound Power Level at maximum speed (dB)	65
Sound Power Level at intensive speed (TURBO) (dB)	67
Po (Power Consumption in off mode) (W)	0,26
Ps (Power Consumption in standby) (W)	0
Integration directive EU 66/2014	
f (Time Increase Factor)	0,9
EEl (Energy Efficiency Index)	53
QBEP (Flow Rate at Best Efficiency Point) (m³/h)	429,4
PBEP (Static Pressure Difference at Best Efficiency Point) (Pa)	405
WBEP (Electric Power Input at Best Efficiency Point) (W)	159,8
WL (Nominal Power Consumption of Lighting system) (W)	14
EMIDDLE (Average Illumination of Lighting system on Cooking surface) (lux)	513
External Dimensions	
Width (mm)	900
Depth (mm)	600
Total max height (mm)	1190
Total min height (mm)	872
Outlet Diameter (mm)	150/125
Characteristics	
Motor	BT3
Extraction Levels	2 + 1
Motor Maximum Power Consumption	280
Maximum Pressure	450
Intensive Speed (TURBO) Pressure	470
Control Type	VL3i
Automatic shut-down timer	√
Electronic Filter Saturation Indicator	-
Filter Type	Metallic
Anti-grease Filter Number	1
Inner Shield	-
Lighting	
Light Type	EcoLed
Adjustable Intensity Lighting	-
Nº of Lamps	4
Installation	
Minimum height distance to a electric worktop hob (mm)	650
Minimum height distance to a gas worktop hob (mm)	650
Installation with Outlet tube to the exterior / Recirculating	BOTH
Easy Installation System	√
Electric Connection	
Total Rush Power (W)	294
Rated Voltage (V)	220-240
Network Frequency (Hz)	50
Electrical Insulation Class	CLASS II
Plug	EU - 2 pins
Accessories	
Upper Decorative tube Extension	-
White Decorative Tube	-
Black Decorative Tube	-
Island Tube Enhancer	-
Check Valve	02832004
MAX PRO Metal Filter	-
Metal Filter	02812000*
DUAL Filter (metal + active charcoal)	-
Active Charcoal Filter	02859398
Noiseless Flexible Duct	02893002