



## IB 6303 BK

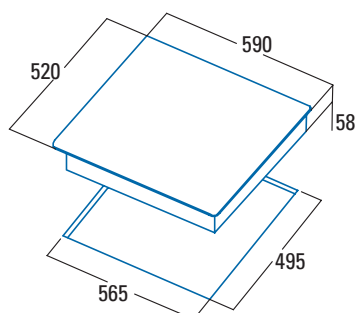


IB 6303 BK  
Cod. **08063112** EAN **8422248109451**

### 3 cooking areas:

- Right: 1 area with **Booster function** of Ø280mm of 2.3kW (max. 3kW)
- Front Left: 1 area with **Booster function** of Ø210mm of 2.3kW (max. 2.6kW)
- Rear Left: 1 area with **Booster function** of Ø160mm of 1.2kW (max. 1.5kW)

- Touch Control with acoustic warning
- 9 adjustable power levels + Booster
- Timer function for each area
- Countdown alarm
- Automatic pan detection
- Safety lock
- Residual heat indicator
- Automatic safety switch-off
- 59 cm wide**
- Total power 7.1kW**



<b>Code</b>	<b>08063112</b>
<b>EAN</b>	<b>8422248109451</b>
<b>Model</b>	<b>IB 6303 BK</b>
<b>Type</b>	<b>Induction</b>
<b>Product fiche</b>	
Cooking zones	3
<b>Right front zone: Diameter (mm)</b>	-
Right front zone: Power (kW)	-
Right front zone: Booster (kW)	-
Right front zone: Consumption (Wh/kg)	-
Right rear zone: Diameter (mm)	280
<b>Right rear zone: Power (kW)</b>	2,3
Right rear zone: Booster (kW)	3
Right rear zone: Consumption (Wh/kg)	180,8
Central front zone: Diameter (mm)	-
Central front zone: Power (kW)	-
<b>Central front zone: Booster (kW)</b>	-
Central front zone: Consumption (Wh/kg)	-
Central rear zone: Diameter (mm)	-
Central rear zone: Power (kW)	-
Central rear zone: Booster (kW)	-
<b>Central rear zone: Consumption (Wh/kg)</b>	-
Front left zone: Diameter (mm)	210
Front left zone: Power (kW)	2,3
Front left zone: Booster (kW)	2,6
Front left zone: Consumption (Wh/kg)	184,1
<b>Left rear zone: Diameter (mm)</b>	160
Left rear zone: Power (kW)	1,2
Left rear zone: Booster (kW)	1,5
Left rear zone: Consumption (Wh/kg)	181,7
Energy consumption of the hob (Wh/kg)	182,2
<b>Dimensions</b>	
Product width (mm)	590
Product depth (mm)	520
Product height (mm)	58
Built-in height (mm)	565
Built-in depth (mm)	495
Ventilation slot (mm)	5
Fixing system	Quick-Fix System
<b>Finishing</b>	
Colour	Black
Aesthetic	Rounded
<b>Control</b>	
Control type	Touch
Power selection (+/-)	Centralized
Power levels	9 + Booster
Timer	Yes
Countdown alarm	No
Power management	No
<b>Security</b>	
Safety lock	Yes
Residual heat indicator	Yes
Automatic pan detection	Yes
Automatic safety switch-off	Yes
Protection against liquid spillage	Yes
<b>Electrical connection</b>	
Nominal voltage (V)	220-240
Mains frequency (Hz)	50-60
Max Product power (kW)	7,1