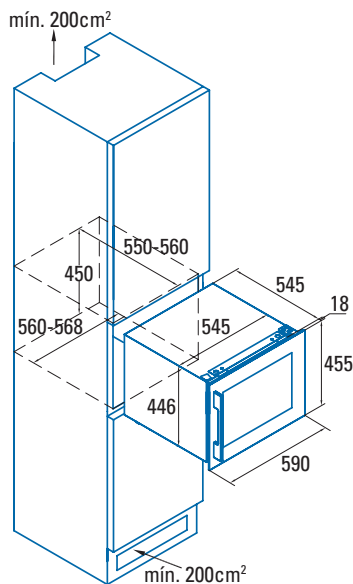




VI 54024 X  
Cod. 07751008 EAN 8422248101837



- No frost built-in wine cooler
- Capacity 28 bottles
- Temperature between 5/20°C.
- Electronic temperature control
- Digital touch control panel
- Inner led light
- Reversible door
- Inner ventilation for quick cooling
- 2 wooden shelves
- Energy class G
- Climatic class SN/N/ST (10-38°)
- Sound level 40 dB
- Energy consumption 135 kWh/year
- Nominal power 65W
- 220-240V 50Hz



<b>Code</b>	07751008
<b>EAN</b>	8422248101837
<b>Model</b>	VI 54024 X
<b>Finish</b>	Stainless Steel
<b>Product fiche according to EU Regulation 1060/2010</b>	
Category	Compressor wine cooler
Energy efficiency class	G
Energy consumption [kWh/year]	135
Refrigerator storage volume [l]	62
Climate class	SN/N/ST
Noise emissions [dBA]	40
Installation type	Built-in
<b>Technical specs and control type</b>	
Refrigerator system	Compressor
Display	Touch control display on the door
Wine cooler lighting	LED
Temperature zones	1
Temperature ranges (°C)	5-20
Storage levels	3
Capacity (bottles)	28
Opening of the door	Right
Reversible doors	Yes
Adjustable feet	Yes
<b>Dimensions</b>	
Height [mm]	455
Width [mm]	590
Depth [mm]	545
<b>Cabinet dimensions</b>	
Minimum cabinet height [mm]	450
Minimum cabinet width [mm]	560-568
Minimum cabinet depth [mm]	550-560
<b>Power connection</b>	
Voltage range [V]	220-240
Frequency [Hz]	50
Rated power [W]	65
Type of plug	Schuko
Power cord length [mm]	1500