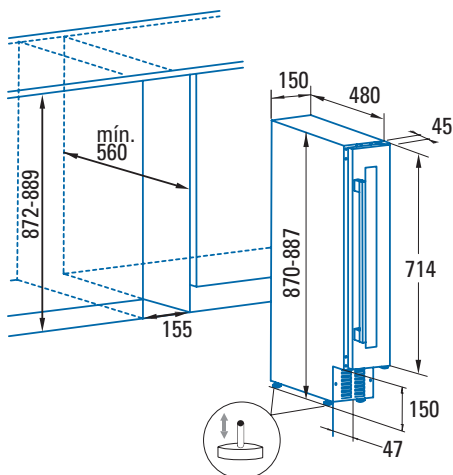




VI 15107 X
Cod. **07751006** EAN **8422248101790**



- No frost built-in wine cooler
- Capacity **7 bottles**
- Temperature between 5/20°C.
- Electronic temperature control**
- Digital touch control panel**
- Inner led light**
- Reversible door
- Inner ventilation for quick cooling
- Energy class G
- Climatic class SN/N/ST (10-38°)
- Sound level 41 dB
- Energy consumption 144 kWh/year
- Nominal power 60W
- 220-240V 50Hz



Code	07751006
EAN	8422248101790
Model	VI 15107 X
Finish	Satinless Steel
Product fiche according to EU Regulation 1060/2010	
Category	Compressor wine cooler
Energy efficiency class	G
Energy consumption [kWh/year]	144
Refrigerator storage volume [l]	20
Climate class	SN/N/ST
Noise emissions [dBA]	41
Installation type	Built-in
Technical specs and control type	
Refrigerator system	Compressor
Display	Touch control display on frontal panel
Wine cooler lighting	Led
Temperature zones	1
Temperature ranges (°C)	5-20
Storage levels	7
Capacity (bottles)	7
Opening of the door	Right
Reversible doors	Yes
Adjustable feet	Yes
Dimensions	
Height [mm]	870-887
Width [mm]	150
Depth [mm]	480
Cabinet dimensions	
Minimum cabinet height [mm]	872-889
Minimum cabinet width [mm]	155
Minimum cabinet depth [mm]	560
Power connection	
Voltage range [V]	220-240
Frequency [Hz]	50
Rated power [W]	60
Type of plug	Schuko
Power cord length [mm]	1500