



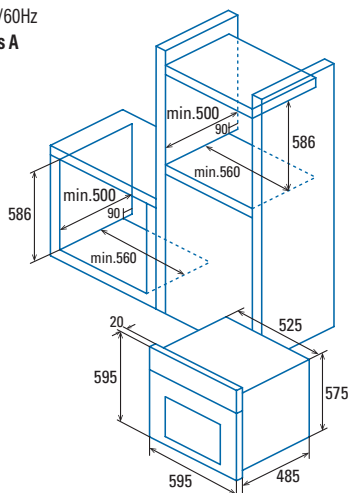
## CDP 780 AS BK

Suitable for short  
depth cabinets



CDP 780 AS BK  
Cod. **07001401** EAN **8422248059503**

- Multifunction oven - 8 functions
- Push/Pull controls
- Digital cooking programmer
- Temperature range 50°C-250°C
- 4 levels for placing easy-to-move trays
- 1 telescopic guide
- Panoramic easy-to-clean full glass door with removable inner glass
- Double glazed cool door with tangential ventilation
- Accessories: Deep tray and grid
- AquaSmart Cleaning system
- Stainless steel and black glass finishing
- 60cm wide
- Suitable for 50cm cabinet
- Net capacity 50 litres
- 220/240V 50/60Hz
- Energy Class A



<b>Code</b>	<b>07001401</b>
<b>EAN</b>	<b>8422248059503</b>
<b>Model</b>	<b>CDP 780 AS BK</b>
<b>Type</b>	Multifunction Turbo
<b>Product fiche according to EU 65/2014 y EU 66/2014</b>	
Energy efficiency index (IEE)	117,1
Energy efficiency Class	A
Energy consumption in conventional mode [kWh/cycle]	0,89
Energy consumption in fan-forced mode [kWh/cycle]	0,81
Number of cavities	1
Heat source	Electricity
Mass of the appliance [Kg]	36
Cavity volume (L)	50
<b>Dimensions</b>	
Width [mm]	595
Height [mm]	595
Depth [mm]	480
Cavity width [mm]	410
Cavity height [mm]	325
Cavity depth [mm]	375
<b>Characteristics</b>	
Finishing	Stainless steel and black glass
Soft Door closing	No
Tray levels	5
Convection Fan	Yes
Number of light bulbs	1
<b>Controls</b>	
Control type	Touch with push-pull knobs
Screen Technology	LCD
Cooking programmer start/stop	Yes
Cooking programmer stop	-
Minute minder	-
Working pilot light	Yes
Thermostat pilot light	Yes
Min. temperature [°C]	50
Max. Temperature [°C]	250
<b>Cleaning</b>	
Enamel	Non-stick black
Cavity type	Flat
Inner glass	Removable
AquaSmart Cleaning	Manual
Number of programmes	8
Fast preheat	No
Inner light	Yes
<b>Safety</b>	
Safety lock	No
Number of door glasses	2
Cooling fan	Yes
Security Thermostat	Yes
<b>Electrical connection</b>	
Grill power [W]	2350
Bottom heating element power [W]	1300
Back heating element power [W]	2300
Total rated Power [W]	2450
Nominal voltage [V] / Mains frequency [Hz]	220-240 / 50/60
Light power [W]	2 x 25
Plug	No
<b>Accessories</b>	
Side racks	1
Grill	1
Shallow tray	1
Deep tray	1
Sliding rails	1
Turnspit	-
Pizza Stone (optional)	-
Gas connection hose	-