



motor **BRUSHLESS**
the highest efficiency of the market



GOYA PRO BK



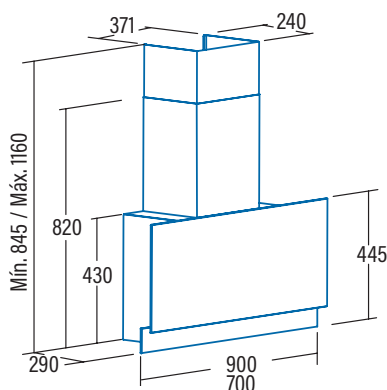
GOYA PRO 90 BK

Cod. **02184401** EAN **8422248080613**

- ❑ Multifunction **TFT Touch screen** with automatic shut-down timer and cleaning filters indicator
- ❑ 6 extraction levels, **Silent + 4 + TURBO**
- ❑ PRO connectivity with automatic control from the CATA PRO hob
- ❑ Extraction power (according to UNE/EN 61591): **842m³/h** - 283m³/h
- ❑ Maximum air flow (free outlet): **910m³/h**
- ❑ **Sound power (Reg.(EU) nº65/2014): 48dB(A)**, maximum: 64dB(A)
- ❑ BRUSHLESS motor. Ultra silent. Maximum energy consumption **135W**
- ❑ **High efficiency strip Led lighting, adjustable intensity**
- ❑ Easy-to-install system
- ❑ **Non-condensation filter XL**
- ❑ Dishwasher washable Filters
- ❑ Air renovation function
- ❑ Finished in black glass
- ❑ Max. Pressure: 365 Pa
- ❑ Front panel with **opening for intensive use**
- ❑ 150/125 mm outlet diameter
- ❑ **Energy Class: A+++**

► **Accessories (not included)**

Active charcoal filter	Cod. 02859399 / EAN 8422248086943
Check valve	Cod. 02832008 / EAN 8422248086837
Top tube BK	Cod. 02861403 / EAN 8422248078818
Top tube Inox	Cod. 02861303 / EAN 8422248097758



Code	02184401
EAN	8422248082198
Model	GOYA PRO 90 BK
Type	Vertical
Product fiche according to directives EU65/2014 - EN61591, EN60704-2-13, EN50564	
AEC (Annual Energy consumption) (kWh/annum)	14,5
EEL class (Energy Efficiency Class)	A+++
FDE (Fluid Dynamic Efficiency)	39,7
FDE class (Fluid Dynamic Efficiency Class)	A
LE (Lighting Efficiency) (lux/W)	26,3
LE class (Lighting Efficiency Class)	B
GFE (Grease Filtering Efficiency)	75,5
GFE Class (Grease Filtering Efficiency class)	C
Air flow at minimum speed (m³/h)	200
Air flow at maximum speed (m³/h)	605
Air flow at intensive speed (TURBO) (m³/h)	825
Sound Power Level at minimum speed (dB)	40
Sound Power Level at maximum speed (dB)	64
Sound Power Level at intensive speed (TURBO) (dB)	69
Po (Power Consumption in off mode) (W)	0,4
Ps (Power Consumption in standby) (W)	0,4
Integration directive EU 66/2014	
f (Time Increase Factor)	0,6
EEL (Energy Efficiency Index)	29,3
QBEP (Flow Rate at Best Efficiency Point) (m³/h)	259,7
PBEP (Static Pressure Difference at Best Efficiency Point) (Pa)	326,2
WBEP (Electric Power Input at Best Efficiency Point) (W)	59,2
WL (Nominal Power Consumption of Lighting system) (W)	3
EMIDDLE (Average Illumination of Lighting system on Cooking surface) (lux)	79
External Dimensions	
Width (mm)	900
Depth (mm)	296
Total max height (mm)	1160
Total min height (mm)	845
Outlet Diameter (mm)	150
Characteristics	
Motor	BT4DC
Extraction Levels	5 + 1
Motor Maximum Power Consumption	140
Maximum Pressure	357
Intensive Speed (TURBO) Pressure	365
Control Type	TFT Touch
Automatic shut-down timer	√
Electronic Filter Saturation Indicator	√
Filter Type	Metallic
Anti-grease Filter Number	2 + 1
Inner Shield	-
Lighting	
Light Type	SS Led
Adjustable Intensity Lighting	√
Nº of Lamps	1
Installation	
Minimum height distance to a electric worktop hob (mm)	530
Minimum height distance to a gas worktop hob (mm)	650
Installation with Outlet tube to the exterior / Recirculating	BOTH
Easy Installation System	√
Electric Connection	
Total Rush Power (W)	143
Rated Voltage (V)	220-240
Network Frequency (Hz)	50
Electrical Insulation Class	CLASS I
Plug	-
Accessories	
Upper Decorative tube Extension	02861303
White Decorative Tube	-
Black Decorative Tube	02861403
Island Tube Enhancer	-
Check Valve	02832008
MAX PRO Metal Filter	-
Metal Filter	02800905*/02800904*
DUAL Filter (metal + active charcoal)	02800918+02800938
Active Charcoal Filter	02859399
Noiseless Flexible Duct	02893002