



## LEGEND ISLAND

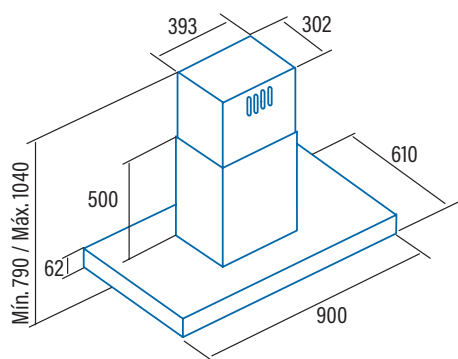


LEGEND ISLAND  
Cod. **02097202** EAN **8422248061681**

- ❑ **Touch Control Panel** with timer and cleaning filters indicator
- ❑ 5 extraction levels, 4 + 1 **TURBO**
- ❑ Extraction power (according to UNE/EN 61591): **820m<sup>3</sup>/h** - 200m<sup>3</sup>/h
- ❑ Maximum air flow (free outlet): **1200m<sup>3</sup>/h**
- ❑ **1st speed silent mode**
- ❑ **Sound power (Reg.(EU) n°65/2014): 40dB(A)**, maximum: 64dB(A)
- ❑ **BRUSHLESS** motor. Ultra silent. Maximum energy consumption **130W**
- ❑ **High efficiency Led lighting, adjustable intensity**
- ❑ Easy-to-install system
- ❑ Dishwasher-washable filters
- ❑ Finished Stainless steel and **mirror glass**
- ❑ Max. Pressure: 470 Pa
- ❑ 150/125 mm outlet diameter
- ❑ **Energy Class: A+**

► **Accessories (not included)**

Active Charcoal Filter.....Cod. 02859398 / EAN 8422248075497.....  
Check Valve.....Cod. 02832004 / EAN 8422248480499.....



<b>Code</b>	<b>02097202</b>
<b>EAN</b>	<b>8422248061681</b>
<b>Model</b>	<b>ISLA LEGEND 900 XGBK</b>
<b>Type</b>	Island
<b>Product fiche according to directives EU65/2014 - EN61591, EN60704-2-13, EN50564</b>	
AEC (Annual Energy consumption) (kWh/annum)	26
EEl class (Energy Efficiency Class)	A+
FDE (Fluid Dynamic Efficiency)	33,1
FDE class (Fluid Dynamic Efficiency Class)	A
LE (Lighting Efficiency) (lux/W)	36
LE class (Lighting Efficiency Class)	A
GFE (Grease Filtering Efficiency)	91,2
GFE Class (Grease Filtering Efficiency class)	B
Air flow at minimum speed (m <sup>3</sup> /h)	200
Air flow at maximum speed (m <sup>3</sup> /h)	645
Air flow at intensive speed (TURBO) (m <sup>3</sup> /h)	820
Sound Power Level at minimum speed (dB)	40
Sound Power Level at maximum speed (dB)	64
Sound Power Level at intensive speed (TURBO) (dB)	67
Po (Power Consumption in off mode) (W)	0,41
Ps (Power Consumption in standby) (W)	0
<b>Integration directive EU 66/2014</b>	
f (Time Increase Factor)	0,8
EEl (Energy Efficiency Index)	44,8
QBEP (Flow Rate at Best Efficiency Point) (m <sup>3</sup> /h)	344,8
PBEP (Static Pressure Difference at Best Efficiency Point) (Pa)	244
WBEP (Electric Power Input at Best Efficiency Point) (W)	70,8
WL (Nominal Power Consumption of Lighting system) (W)	7
EMIDDLE (Average Illumination of Lighting system on Cooking surface) (lux)	252
<b>External Dimensions</b>	
Width (mm)	900
Depth (mm)	610
Total max height (mm)	1040
Total min height (mm)	790
Outlet Diameter (mm)	150/125
<b>Characteristics</b>	
Motor	BTDCA
Extraction Levels	4 + 1
Motor Maximum Power Consumption	130
Maximum Pressure	455
Intensive Speed (TURBO) Pressure	470
Control Type	TC5i
Automatic shut-down timer	√
Electronic Filter Saturation Indicator	√
Filter Type	Metallic
Anti-grease Filter Number	4
Inner Shield	-
<b>Lighting</b>	
Light Type	EcoLed
Adjustable Intensity Lighting	√
N° of Lamps	2
<b>Installation</b>	
Minimum height distance to a electric worktop hob (mm)	650
Minimum height distance to a gas worktop hob (mm)	650
Installation with Outlet tube to the exterior / Recirculating	BOTH
Easy Installation System	√
<b>Electric Connection</b>	
Total Rush Power (W)	137
Rated Voltage (V)	220-240
Network Frequency (Hz)	50
Electrical Insulation Class	CLASS II
Plug	EU - 2 pins
<b>Accessories</b>	
Upper Decorative tube Extension	-
White Decorative Tube	-
Black Decorative Tube	-
Island Tube Enhancer	02864300
Check Valve	02832004
MAX PRO Metal Filter	02800917
Metal Filter	02800200*
DUAL Filter (metal + active charcoal)	02800918
Active Charcoal Filter	02859398
Noiseless Flexible Duct	02893002