

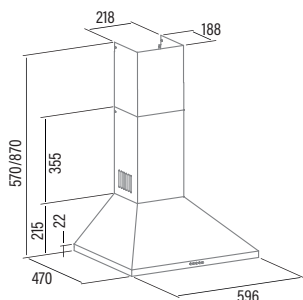


## V-6000 WH



V-6000 WH  
Cod. **02002097** EAN **8422248108492**

- Mechanical control panel
- 3 extraction levels
- Extraction power (according to UNE/EN 61591): **480m<sup>3</sup>/h** - 320m<sup>3</sup>/h
- Sound power (Reg.(EU) n°65/2014): **52dB(A)**, maximum: 64dB(A)
- 1 motor. Extra silent. Maximum energy consumption **120W**
- High efficiency Strip LED lighting
- Energy Class: C



<b>Code</b>	<b>02002097</b>
<b>EAN</b>	<b>8422248108492</b>
<b>Model</b>	<b>V-6000 WH</b>
<b>Type</b>	<b>Chimney</b>
<b>Product fiche according to directives EU65/2014 - EN61591, EN60704-2-13, EN50564</b>	
AEC (Annual Energy consumption) (kWh/annum)	59
EEL class (Energy Efficiency Class)	C
FDE (Fluid Dynamic Efficiency)	11,3
FDE class (Fluid Dynamic Efficiency Class)	E
LE (Lighting Efficiency) (lux/W)	28,6
LE class (Lighting Efficiency Class)	A
GFE (Grease Filtering Efficiency)	62,5
GFE Class (Grease Filtering Efficiency class)	E
Air flow at minimum speed (m3/h)	318,4
Air flow at maximum speed (m3/h)	479,5
Air flow at intensive speed (TURBO) (m3/h)	-
Sound Power Level at minimum speed (dB)	52
Sound Power Level at maximum speed (dB)	64
Sound Power Level at intensive speed (TURBO) (dB)	-
Po (Power Consumption in off mode) (W)	0
Ps (Power Consumption in standby) (W)	0
<b>Integration directive EU 66/2014</b>	
f (Time Increase Factor)	1,6
EEL (Energy Efficiency Index)	83,5
QBEP (Flow Rate at Best Efficiency Point) (m3/h)	239,7
PBEP (Static Pressure Difference at Best Efficiency Point) (Pa)	166
WBEP (Electric Power Input at Best Efficiency Point) (W)	97,9
WL (Nominal Power Consumption of Lighting system) (W)	3
EMIDDLE (Average Illumination of Lighting system on Cooking surface) (lux)	85,8
<b>External Dimensions</b>	
Width (mm)	600
Depth (mm)	470
Total max height(mm)	870
Total min height(mm)	570
Outlet Diameter (mm)	150/125
<b>Characteristics</b>	
Motor	120W
Extraction Levels	3
Motor Maximum Power Consumption	120
Maximum Pressure	227
Intensive Speed (TURBO) Pressure	-
Control Type	Mechanic
Automatic shut-down timer	-
Electronic Filter Saturation Indicator	-
Filter Type	Metallic
Anti-grease Filter Number	2
Inner Shield	-
<b>Lighting</b>	
Light Type	CSLED
Adjustable Intensity Lighting	-
N° of Lamps	1
<b>Installation</b>	
Minimum height distance to a electric worktop hob (mm)	650
Minimum height distance to a gas worktop hob (mm)	650
Installation with Outlet tube to the exterior / Recirculating	BOTH
Easy Installation System	√
<b>Electric Connection</b>	
Total Rush Power (W)	123
Rated Voltage (V)	220-240
Network Frequency (Hz)	50
Electrical Insulation Class	CLASS I
Plug	-
<b>Accessories</b>	
Upper Decorative tube Extension	-
White Decorative Tube	-
Black Decorative Tube	-
Island Tube Enhancer	-
Check Valve	-
MAX PRO Metal Filter	-
Metal Filter	02859498
DUAL Filter (metal + active charcoal)	-
Active Charcoal Filter	02859496
Noiseless Flexible Duct	02893002